

BrunataNet

GateLan - Mbus/RS 232

(Type 3)

Installation guide

Version 1.0

UK-QB10.1477 / 31.03.2010

Brunata a/s a 100% Danish owned company. We have more than 90 years of experience of developing and producing heat cost allocators, heating accounts and meter services. Our quality assurance system fulfils DS/EN ISO 9001 and 14001. Read more at www.brunata.dk or contact us at +45 77 77 70 00.

Brunata

The logo consists of the word "Brunata" in a bold, black, sans-serif font. Below the text is a horizontal bar divided into two equal segments: the left segment is red and the right segment is blue.

Contents

1.0 Introduction.....	3
1.1 Connection in general	3
1.2 Connection of GateLAN - Mbus/RS 232	3
2.0 Registering the installation.....	5
3.0 Testing the installation using text commands	6
4.0 Light diodes and buttons on GateLAN - Mbus/RS 232.....	6
5.0 Technical support	7

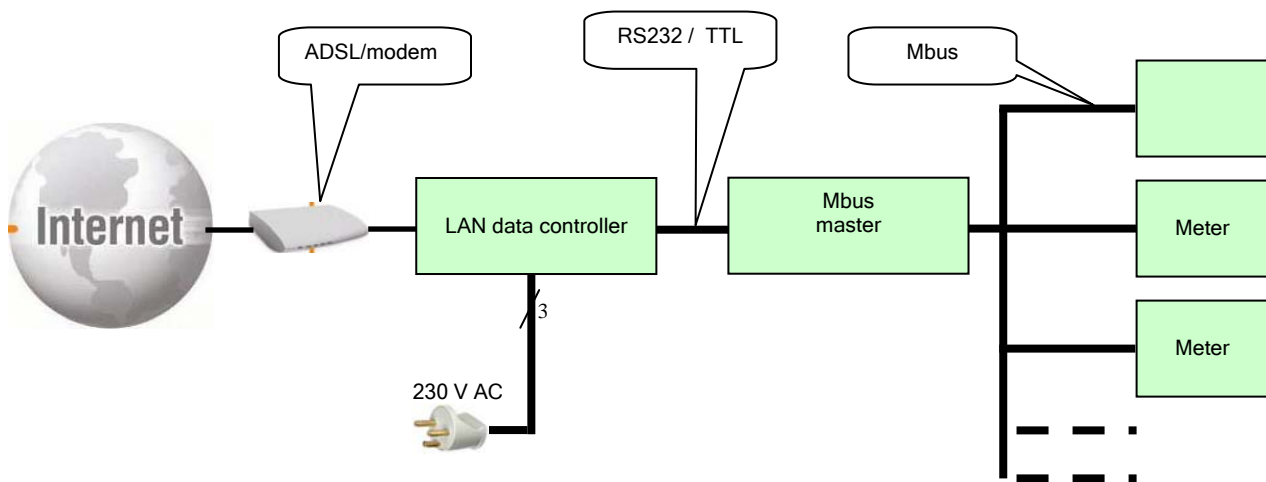
Appendix: BrunataNet component list

1.0 Introduction

1.1 Connection in general

GateLAN - Mbus/RS 232 is connected to 230 V and an Ethernet giving access to the internet.

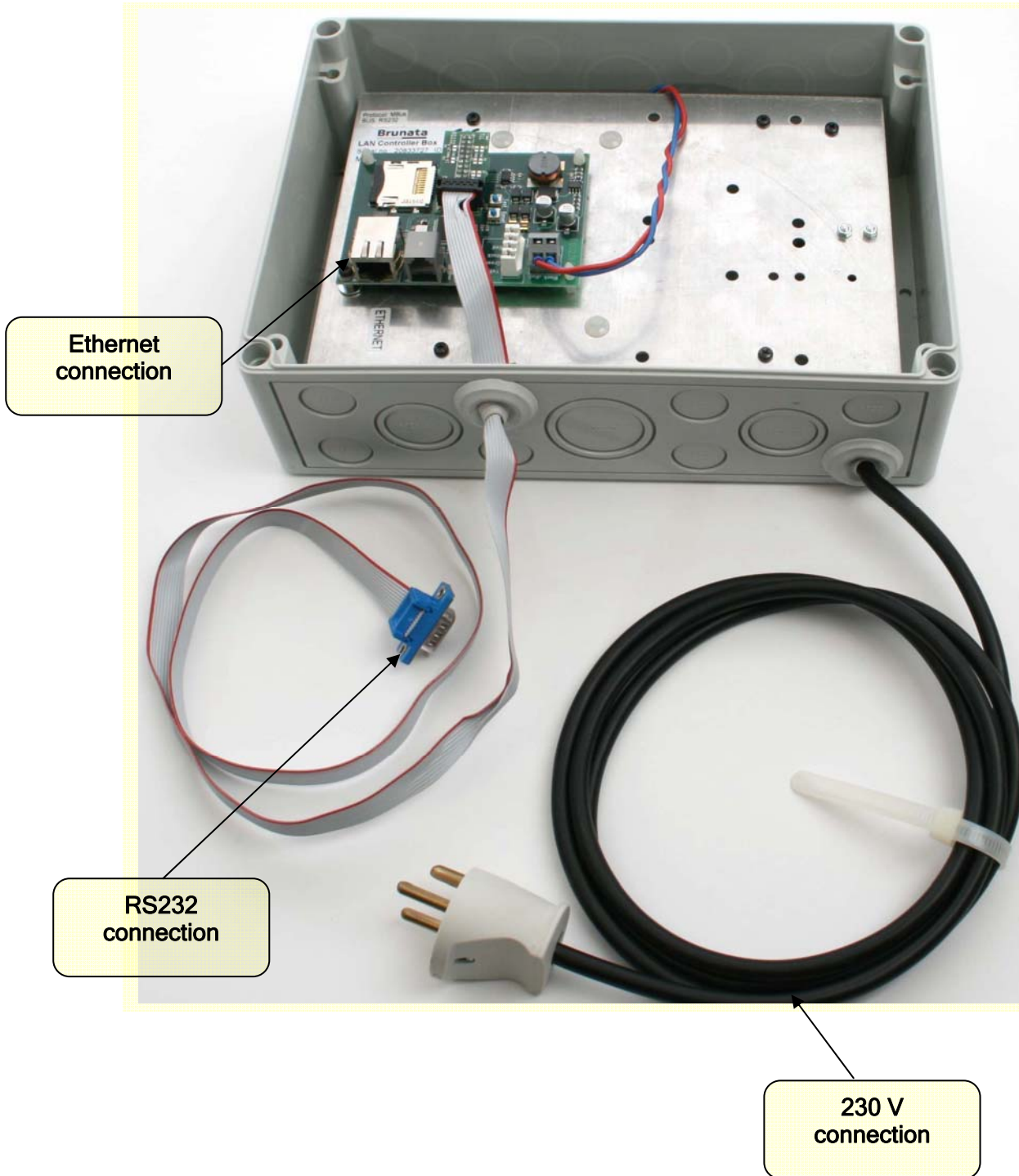
A Mbus master can be connected with the accompanying RS232 cable.



1.2 Connection of GateLAN - Mbus/RS 232

- Connect local network or internet to the Ethernet socket.
- Connect the HG-MBus master to the RS232 bus with a flat cable.
- When all meters and the internet are connected, connect GateLAN - Mbus/RS 232 to 230 V.

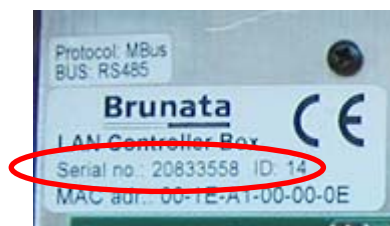
See illustration on the next page.



2.0 Registering the installation

For the system to be set up in WebMon, the form on the last page must be filled in and sent to the relevant local Brunata branch or the heating account department at the main office.

It is important to include both the serial number and the ID number of the LAN data controller on the form.



For the meter, only the serial number on the side of the meter needs to be included.



The connection of the meters to the LAN data controller can be sketched on the back of the form.

3.0 Testing the installation using text commands

If the LAN data controller is correctly connected to the internet and has contact with Brunata's server (LAN-OK LED is constantly lit), it is possible to send a series of text commands to the box.

The text commands are sent to telephone number: **+45 27 80 88 24**.

Text commands must be composed as follows:
[password] [ID no. on the box] [command]

The default password is **dokfaw**.

An example of a text command is shown below:

dokfaw 10 version

The above text command asks about the software version in LDC 10.

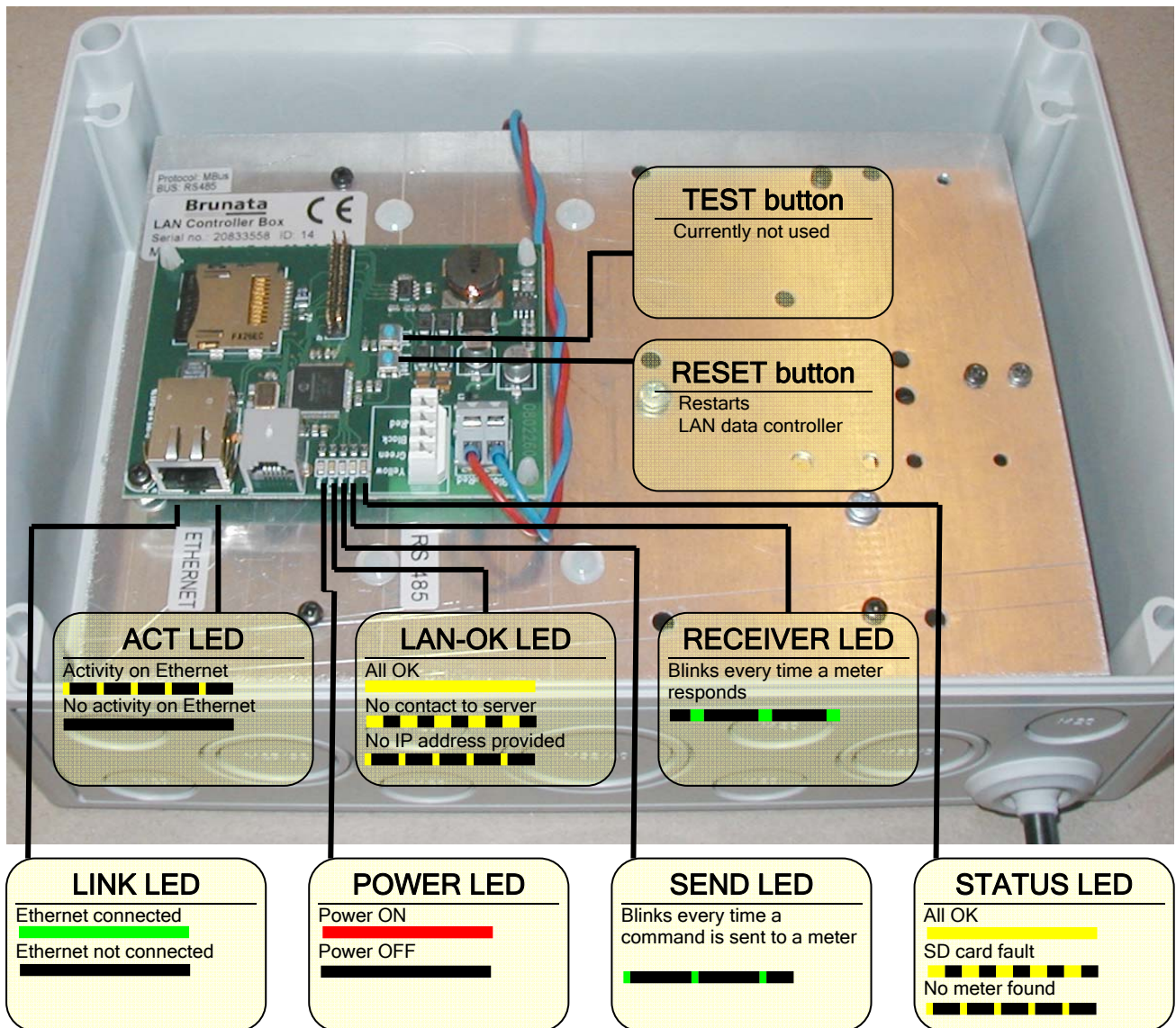
A reply to the text could be:

10
2.20

Common commands:

Text command	Description
Hardboot	Immediately restarts the LDC.
Version	Asks about the software version in the LDC.
Meters	Prompts the LDC to search for slaves and responds a few minutes later with the full ID number of each slave on the bus.
Slaves	If the LDC has net_type = mbus_pri, a list of the found primary addresses on the bus is produced.
Status	Produces a number of status flags, describing roughly the same features as someone with physical access to the LDC can read on the light diodes.

4.0 Light diodes and buttons on GateLAN - Mbus/RS 232



5.0 Technical support

If you have questions in connection with the above, please do not hesitate to contact the Technical Department at Brunata by:

Telephone +45 7777 7000
 Fax +45 7777 7001
 E-mail service@brunata.dk

